

ME 7096 Bracket mounted surface thermocouple



Sheath

Construction	Mineral insulated (MgO)
Material	Stainless steel 316 standard, other materials possible
Diameter	6.0mm standard, other diameters possible

Connection head

Model	1088
Material	Stainless steel 316
Cable entry	M20x1.5, without cable gland

Thermo-element

Calibration	K, T, J or N
Duplex	KK, TT, JJ or NN
Hot junction	Insulated
Accuracy	According IEC 60584
Material	Stainless steel 316 standard, other materials possible

Pipe clamp

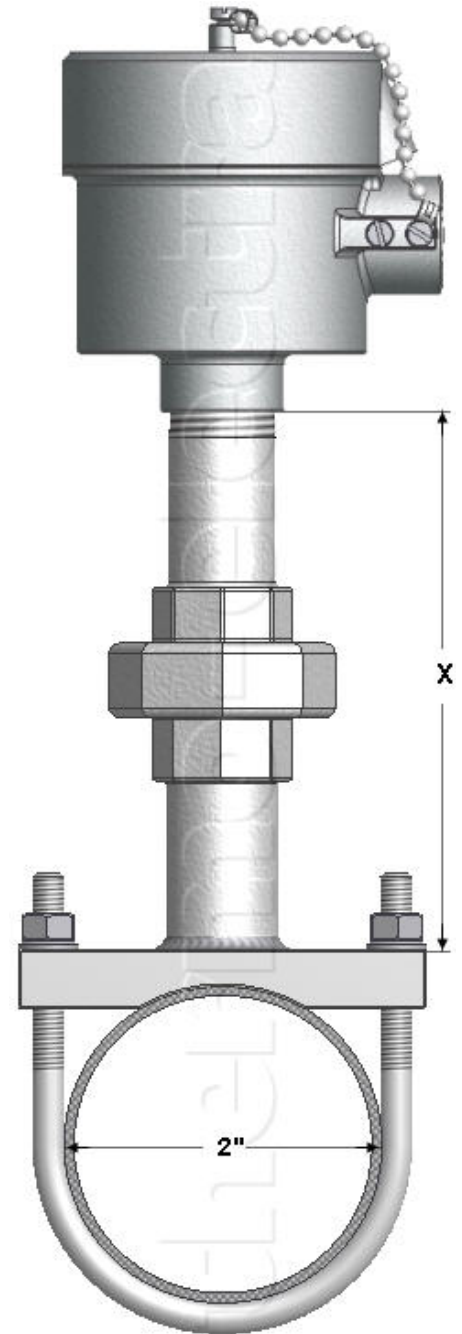
Mounting	Stainless steel pipe clamp
Tube diameter	2"

Head extension

Material	Stainless steel
Length	To specify

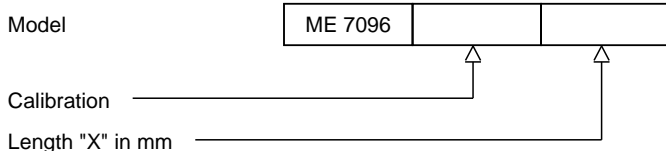
Options

Certification	ATEX or IECEx explosion proof certified Exe, Exi or Exd
Transmitter 4-20mA	In-Head transmitter, standard or Ex version. Please select from our standard range, see transmitterchapter, specify make, model and range.



Ordering code

*This datasheet is purely indicative, build-up of model code may vary from this datasheet.



H7-1 Rev. 07/07



thermo-electra
temperature sensor solutions

Thermo Electra B.V.
Weteringweg 10
2641KM Pijnacker
The Netherlands

Phone +31 (0)15 - 3621200
Fax +31 (0)15 - 3694082
Email sales@thermo.nl
http://www.thermo-electra.com

