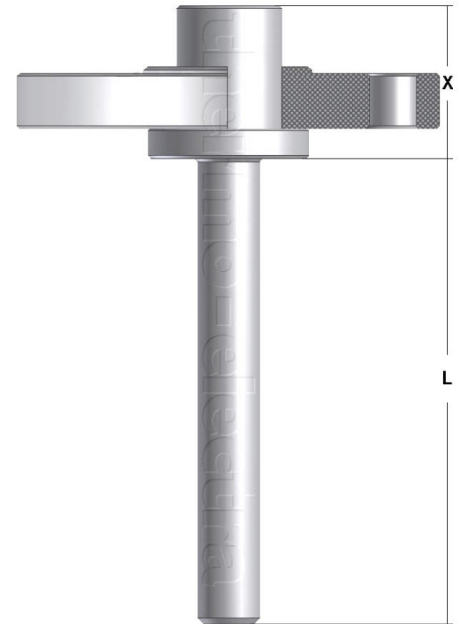


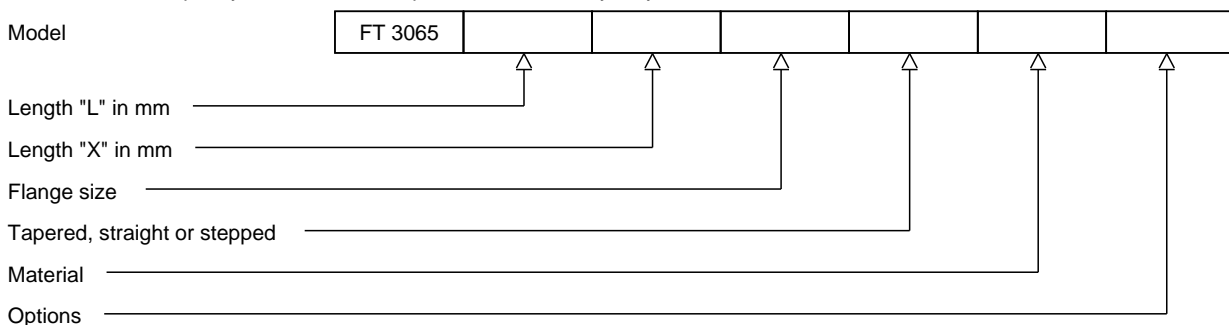
FT 3065 Van Stone thermowell

Thermowell	
Design	Machined and drilled from bar stock material
Materials	SS 316 - (Wst 1.4401) standard
Stem / Shaft	
Straight version	Standard diameter 22mm, or to specify
Tapered version	Diameter from 25 to 20mm at tip, or to specify
Stepped version	20 mm, reduced tip L=78mm x d=12 mm
Flange connection	Flange connection length X (standard 60mm)
Bore	6.6 mm
Bottom thickness	5 mm
Flange	
Flange size	Suits ASME 1
Flange facing	Flat Face Serrated to ASME B16.5
Lap joint flange	
Separate available	To specify
Class	150, 300/600, 900/1500 and 2500LBS
Dimensions	
Insertion length	To specify
Options	
	Other materials and dimensions
	Protective coating, PTFE, Halar, Stellite etc.
	Tagging
	Wake frequency calculation



Ordering code

*This datasheet is purely indicative, build-up of model code may vary from this datasheet.



H3-1 Rev.0 7/07



thermo-electra
temperature sensor solutions

Thermo Electra B.V.
Weteringweg 10
2641KM Pijnacker
The Netherlands

Phone +31 (0)15 - 3621200
Fax +31 (0)15 - 3694082
Email sales@thermo.nl
http://www.thermo-electra.com

