

Construction

ATEX execution	II 2G Ex db IIC T6...T1 Gb
ATEX certificate	DEKRA 17ATEX0123 X
IECEX execution	Ex db IIC T6...T1 Gb
IECEX certificate	IECEX DEK 17.0046X
Suitable for zone	1 and 2
Ingress protection	IP66 / IEC529
Ambient temp. limits	-45°C...+80°C, this can be limited depending on the materials applied such as cables, connection heads, junction boxes and transmitters.

Connection head

Material	Aluminium or Stainless steel 316
Cable entry	M20x1.5 standard, other threads possible. Two entries optional
Cover	Threaded with retaining chain
Fire Lock	At process side

Measuring insert

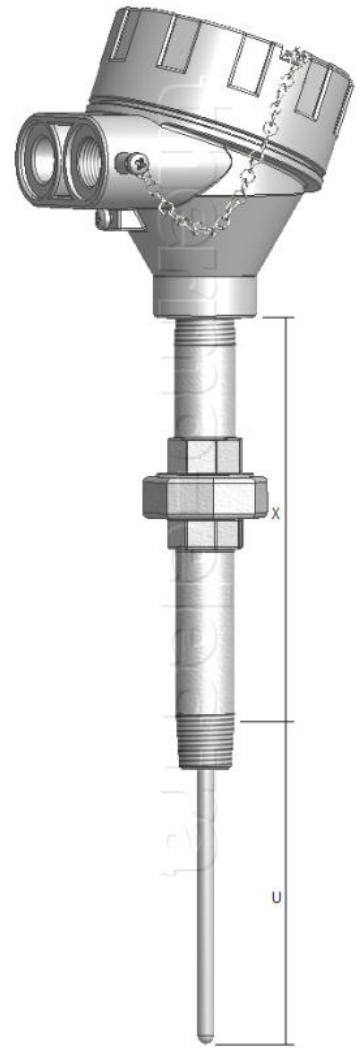
Construction	Springloaded and replaceable
Springaction	>10mm standard, >40mm optional
Diameter	6.0mm standard, other diameters possible
Type	Mineral insulated (MgO)

Sensor

Execution	Single or Duplex Pt100
Connection	3-wire standard, 4-wire optional
Measuring range	-20°C...+400°C standard, -220°C...+600°C optional
Accuracy	According IEC 60751 Cl. B, A or AA

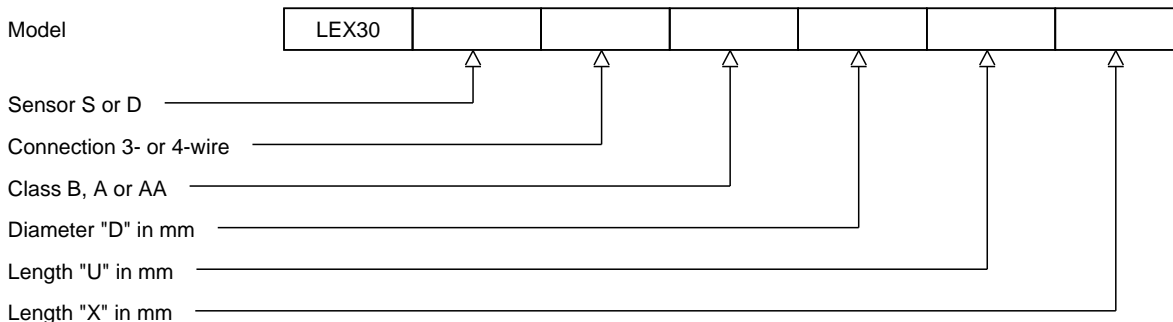
Extension

Type	Nipple - union - nipple standard, other constructions possible
Material	Stainless steel
Style / Connection	1/2" NPT standard, other threads possible
Length	150mm standard, other lengths possible



Ordering code

*This datasheet is purely indicative, build-up of model code may vary from this datasheet.



H3-1 Rev.0 7/07