

# LEX30 Ex d certified resistance thermometer with transmitter for zone 1 and 2



## Construction

<b>ATEX execution</b>	II 2G Ex db IIC T6...T1 Gb
<b>ATEX certificate</b>	DEKRA 17ATEX0123 X
<b>IECEX execution</b>	Ex db IIC T6...T1 Gb
<b>IECEX certificate</b>	IECEX DEK 17.0046X
<b>Suitable for zone</b>	1 and 2
<b>Ingress protection</b>	IP66 / IEC529
<b>Ambient temp. limits</b>	-45°C...+80°C, this can be limited depending on the materials applied such as cables, connection heads, junction boxes and transmitters.

## Transmitter

<b>Model and Type</b>	To be specified
<b>Ambient temp. limits</b>	Depending on transmitter specs.

## Connection head

<b>Material</b>	Aluminium or Stainless steel 316
<b>Cable entry</b>	M20x1.5 standard, other threads possible. Two entries optional
<b>Cover</b>	Threaded with retaining chain
<b>Fire Lock</b>	At process side

## Measuring insert

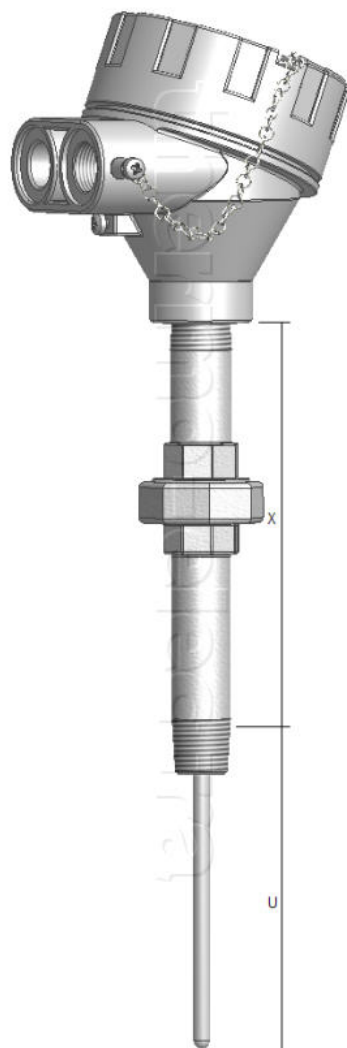
<b>Construction</b>	Springloaded and replaceable
<b>Springaction</b>	>10mm standard, >40mm optional
<b>Diameter</b>	6.0mm standard, other diameters possible
<b>Type</b>	Mineral insulated (MgO)

## Sensor

<b>Execution</b>	Single or Duplex Pt100
<b>Connection</b>	3-wire standard, 4-wire optional
<b>Accuracy</b>	According IEC 60751 Cl. B, A or AA
<b>Measuring range</b>	-20°C...+400°C standard, -220°C...+600°C optional

## Extension

<b>Type</b>	Nipple - union - nipple standard, other constructions possible
<b>Material</b>	Stainless Steel
<b>Style / Connection</b>	1/2" NPT standard, other threads possible
<b>Length</b>	150mm standard, other lengths possible



## Ordering code

\*This datasheet is purely indicative, build-up of model code may vary from this datasheet.

Model	LEX30							To specify
Sensor S of D								
Connection 3- or 4-wire								
Class B, A or AA								
Diameter "D" in mm								
Length "U" in mm								
Length "X" in mm								
Transmitter model								

H3-1 Rev.0 7/07



**thermo-electra**  
temperature sensor solutions

Thermo Electra B.V.  
Weteringweg 10  
2641KM Pijnacker  
The Netherlands

Phone +31 (0)15 - 3621200  
Fax +31 (0)15 - 3694082  
Email sales@thermo.nl  
http://www.thermo-electra.com

