

DWR 6041 Vibration proof resistance thermometer

Design

Designed for use on combustion engines

Protection tube

Construction

Closed-end tube

Material

SS 316 - (Wst 1.4401) standard, other materials possible

Insertion length

150mm standard, other lengths possible

Diameter

8.0mm standard, other diameters possible

Process connection

1/4"BSP (G1/4"), 1/4"NPT or other threads possible

Pocket / Thermowell

Small diameter sensors can break due to high vibrations, the use of a thermowell or pocket can be imperative, check with your engine manufacturer or consult factory.

Cable

Heat and oil resistant armoured extension cable 250 °C

Cable length

1000mm standard, other lengths possible

Sensor

Single or Duplex Pt100

Style / Connection

3-wire system standard, 4-wire system optional

Accuracy

According IEC 60751 class B

Testing

Tested 200 Volt @ 20°C

Insulation

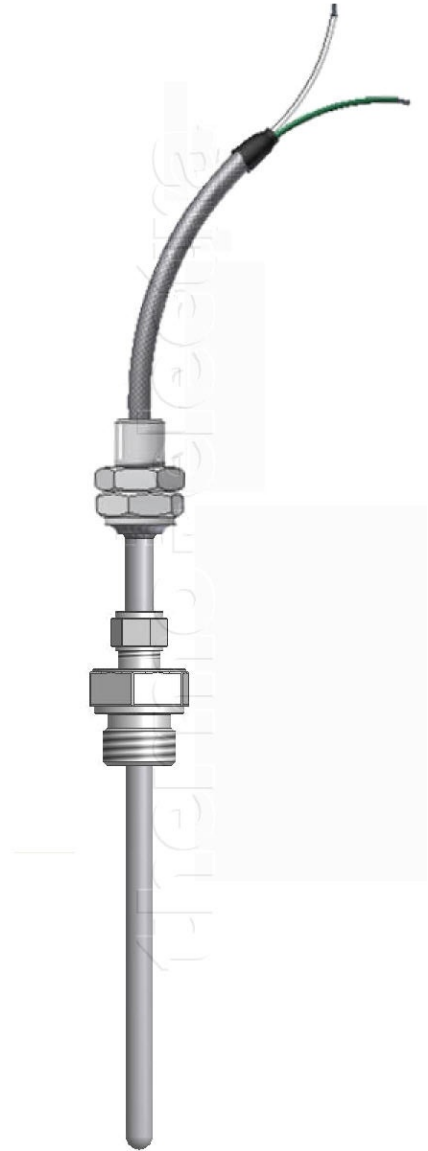
Minimum 100 M ohm

Design

Vibrationproof

Temperature

600°C maximum



Ordering code

Model

DWR 6041

Length "L" in mm

Length "K" in mm

H6-1 Rev. 07/07



thermo-electra
temperature sensor solutions

Thermo Electra B.V.
Weteringweg 10
2641KM Pijnacker
The Netherlands

Phone +31 (0)15 - 3621200
Fax +31 (0)15 - 3694082
Email sales@thermo-electra.com
http://www.thermo-electra.com

