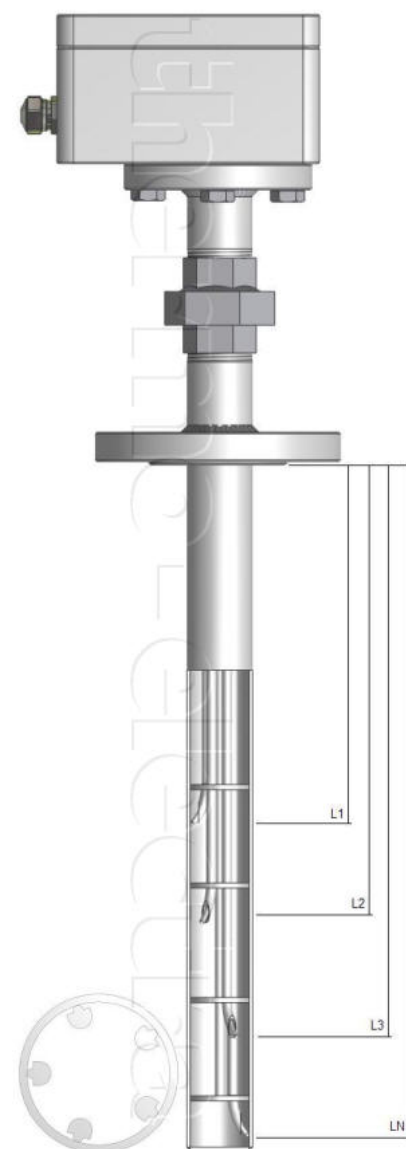


<b>Measuring system</b>	Springloaded measuring
<b>Type</b>	"B" for ML 7038
<b>Construction</b>	Springloaded measuring points
<b>Replaceable</b>	During proces each sensor is replaceable
<b>Guiding tubes</b>	Fixed guiding tubes with 3 mm mineral insulated sensor
<b>Sheath material</b>	Customer to specify
<b>Length L1 to Ln</b>	Customer to specify
<b>Hot junction</b>	Grounded or ungrounded
<b>Calibration</b>	K, T, J, E, N, U or L
<b>For duplex</b>	KK, TT, JJ, EE, NN, UU or LL
<b>Accuracy</b>	According IEC 584-1 / DIN 43710
<b>Application</b>	For use in thermowell or welded tubes
<b>System</b>	Hot junction springloaded contact to innerwall of the thermowell
<b>Cold end</b>	Springloaded construction
<b>Style / Connection</b>	In connectionbox by terminal blocks
<b>Terminals</b>	Each element has 2 terminals and if required an earth terminal



## Ordering code

\*This datasheet is purely indicative, build-up of model code may vary from this datasheet.

Model

ML7038B