

HT 4030 High temperature thermocouple up to 1450°C

Protection tube

Construction	Gastight ceramic tube
Insertion length	Customer to specify
Diameter	10x2.0mm standard, other diameters possible
Material	Ceramic 610 (C610)
Temperature	1450°C maximum
Process connection	Sliding flange model MFA-A (showed), other executions possible for example a welded ANSI or DIN flange

Connection head

Material	Aluminium or stainless steel
Cable entry	M20x1.5 standard, other threads possible

Extension

Material	Steel or Stainless Steel
Length	80mm standard, other lengths possible
Diameter	15mm standard, other diameters possible

Measuring insert

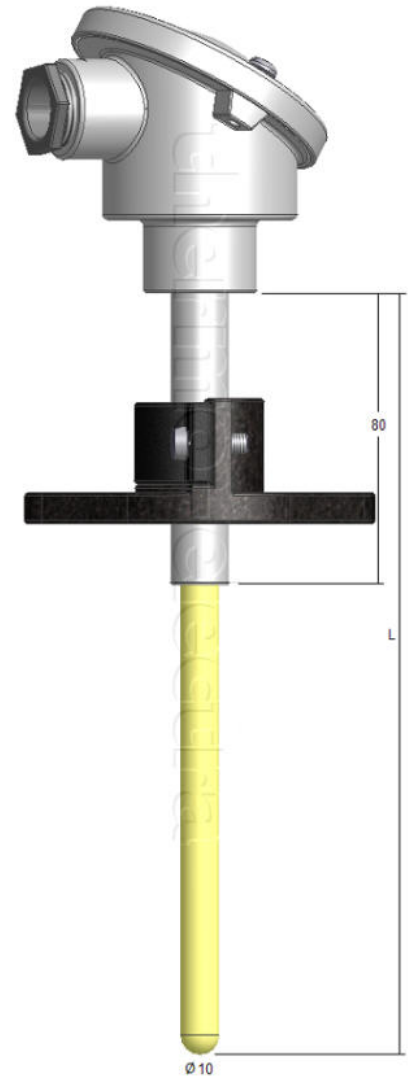
Interchangeable	Yes
Insulation	Ceramic
Shape	Insulation rod, 2 or 4 holes

Thermocouple

Calibration	B, R or S
For duplex	BB, RR or SS
Wire size	0.35mm or 0.5mm
Accuracy	According IEC 60584-1

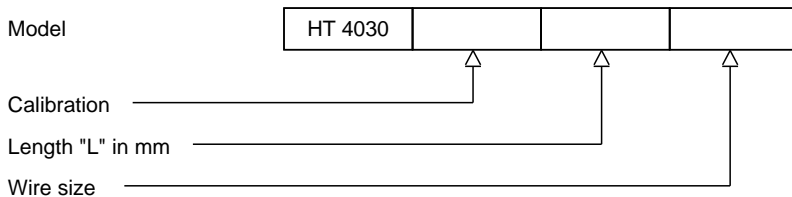
Options

Transmitter 4-20 mA	In-Head transmitter, standard or Ex version. Please select from our standard range or specify your own standard
Swing-Cover head	DAN, transmitter direct mounted on measuring insert
High Swing-Cover head	DAN-H, transmitter in cover, insert with ceramic block



Ordering code

*This datasheet is purely indicative, build-up of model code may vary from this datasheet.



H4-1 Rev. 07/07



thermo-electra
temperature sensor solutions

Thermo Electra B.V.
Weteringweg 10
2641KM Pijnacker
The Netherlands

Phone +31 (0)15 - 3621200
Fax +31 (0)15 - 3694082
Email sales@thermo.nl
http://www.thermo-electra.com

