

MI 2039 Springloaded resistance thermometer

Sheath

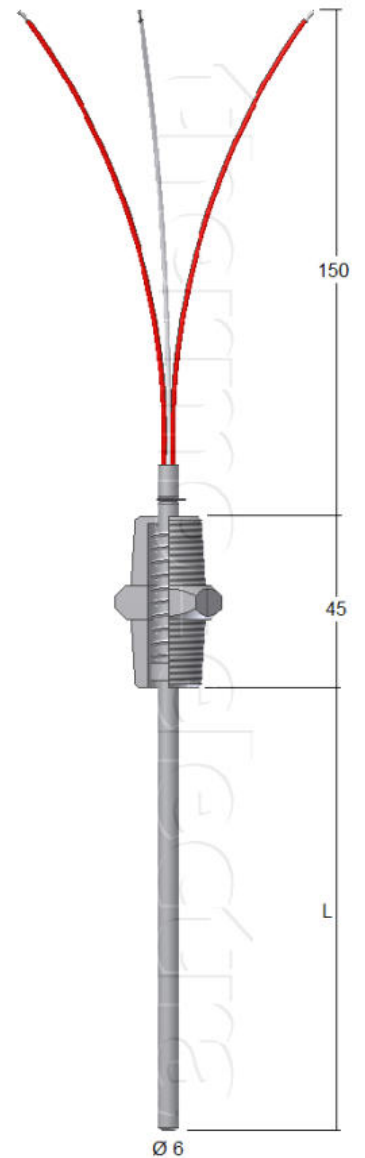
Construction	Mineral insulated
Material	SS 316 - (Wst 1.4401) standard, other materials possible
Insertion length	Customer to specify
Diameter	6.0mm standard, other diameters possible
Process connection	M20x1.5, 1/2"BSP (G1/2"), 1/2"NPT or other threads possible

Style / Connection

Mechanical	For M20x1.5, 1/2"BSP (G1/2"), 1/2"NPT or other threads possible
Electrical	Insulated PTFE wires 180°C, 150 mm
Construction	Springloaded insertion, length 25 mm

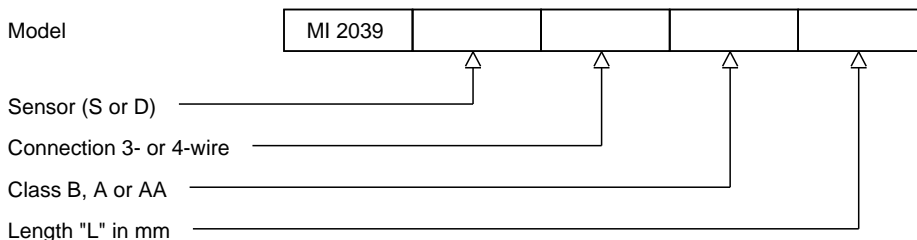
Sensor

Detector	Single or Duplex Pt100
Accuracy	According IEC 60751 Cl. B, A or AA
Style / Connection	3-wire system standard, 4-wire system optional
Range	-20 / +400°C standard, -220 / +600°C optional
Insulation material	Mineral insulated (MgO)
Testing	Tested 500 Vdc @ 20°C
Insulation resistance	Minimum 100 Mohm



Ordering code

*This datasheet is purely indicative, build-up of model code may vary from this datasheet.



H2-1 Rev.0 7/07



thermo-electra
temperature sensor solutions

Thermo Electra B.V.
Weteringweg 10
2641KM Pijnacker
The Netherlands

Phone +31 (0)15 - 3621200
Fax +31 (0)15 - 3694082
Email sales@thermo.nl
http://www.thermo-electra.com

