

CA 2008 Air temperature resistance thermometer

Protection tube

Construction	Perforated tube with open or closed bottom
Diameter	9.0mm standard, other diameters possible
Material	SS 316 - (Wst 1.4401) standard, other materials possible
Insertion length	Customer to specify
Process connection	M20x1.5, 1/2"BSP (G1/2"), 1/2"NPT or other threads possible
Extension length	Customer to specify

Connection head

Material	Aluminium, plastic or stainless steel
Cable entry	M20x1.5 cable gland standard, other threads possible

Measuring insert

Type	MI 2025
Construction	Replaceable
Diameter	6.0mm standard, other diameters possible
Length	$E = L + X + 30 \text{ MM}$

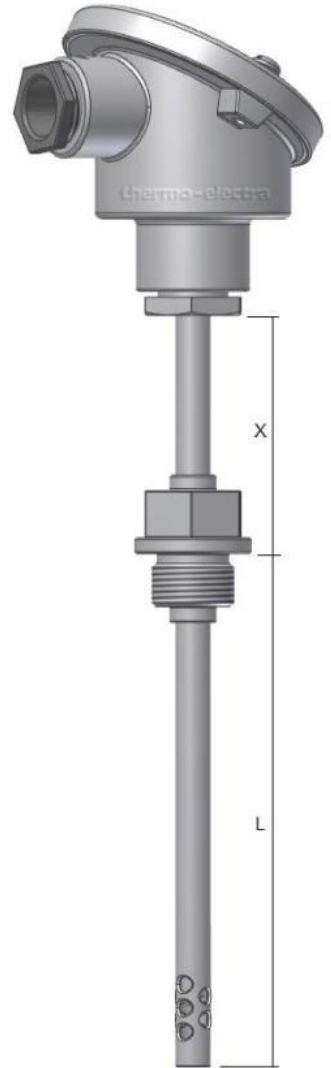
Sensor

Single or Duplex Pt100

Accuracy	According IEC 60751 class B
Style / Connection	3-wire system standard, 4-wire system optional
Range	-220 / +600°C

Options

Transmitter 4-20mA	In-Head transmitter, standard or Ex. Please select from our standard range or specify your own standard
Swing-Cover head	DAN, transmitter direct mounted on measuring insert
High Swing-Cover head	DAN-H, transmitter in cover, insert with ceramic block



Ordering code

Model	CA 2008				
Sensor (S or D)					
Length "L" in mm					
Length "X" in mm					
Diameter "D" in mm					

H2-1 Rev.0 7/07



thermo-electra
temperature sensor solutions

Thermo Electra B.V.
Weteringweg 10
2641KM Pijnacker
The Netherlands

Phone +31 (0)15 - 3621200
Fax +31 (0)15 - 3694082
Email sales@thermo-electra.com
http://www.thermo-electra.com

