

CA 2003 Resistance thermometer

Protection tube

| | |
|---------------------------|--|
| Construction | Closed-end tube |
| Diameter | 9.0mm standard, other diameters possible |
| Material | SS 316 - (Wst 1.4401) standard, other materials possible |
| Insertion length | Customer to specify |
| Process connection | 1/2"BSP (G1/2") standard, M20x1.5, 1/2"NPT or other threads possible |
| Extension length | Customer to specify |

Connection head

| | |
|--------------------|--|
| Material | Aluminium, plastic or stainless steel |
| Cable entry | M20x1.5 cable gland standard, other threads possible |

Measuring insert

| | |
|---------------------|--|
| Type | MI 2025 |
| Construction | Replaceable springloaded, 6mm standard, other diameters possible |
| Length | $E = L + X + 35$ mm |
| Material | SS 316 - (Wst 1.4401) standard, other materials possible |

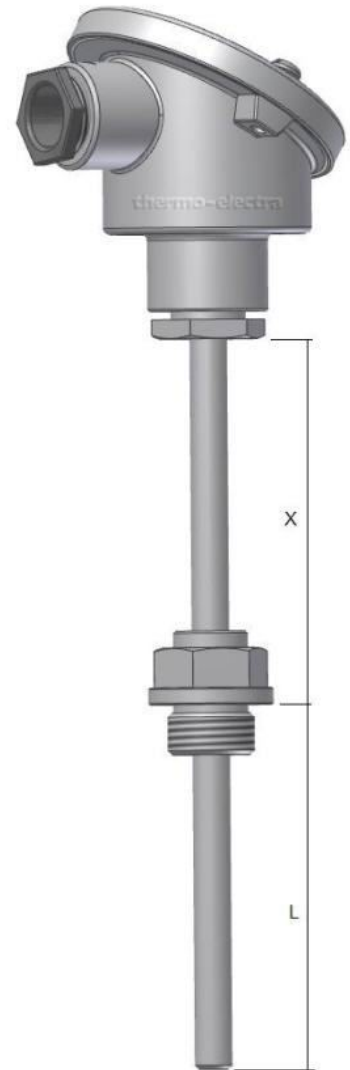
Sensor

Single or Duplex Pt100

| | |
|---------------------------|--|
| Accuracy | According IEC 60751 Cl. B, A or AA |
| Style / Connection | 3-wire system standard, 4-wire system optional |
| Range | -20 / +400°C standard, -220 / +600°C optional |

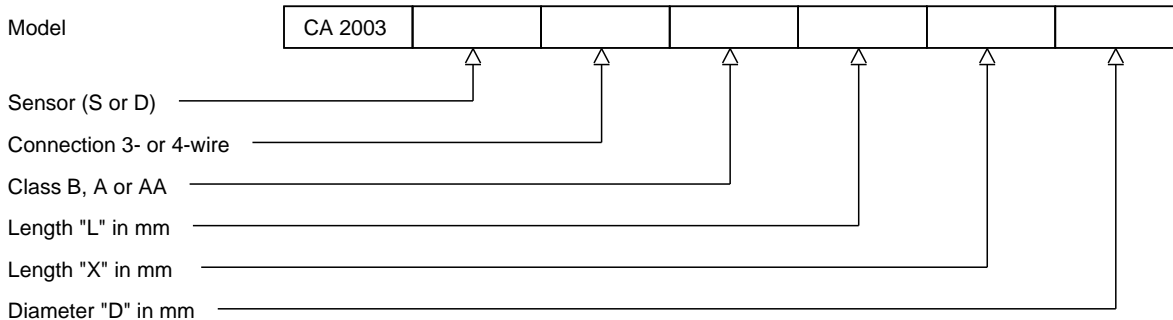
Options

| | |
|------------------------------|--|
| Transmitter 4-20mA | In-Head Transmitter, standard or Explosion proof. Please select from our standard range, see |
| Swing-Cover head | DAN transmitter direct mounted on measuring insert |
| High Swing-Cover head | DAN-H, transmitter in cover, insert with ceramic block |



Ordering code

*This datasheet is purely indicative, build-up of model code may vary from this datasheet.



H2-1 Rev.0 7/07



thermo-electra
temperature sensor solutions

Thermo Electra B.V.
Weteringweg 10
2641KM Pijnacker
The Netherlands

Phone +31 (0)15 - 3621200
Fax +31 (0)15 - 3694082
Email sales@thermo.nl
http://www.thermo-electra.com

