

# ML7038B Multipoint temperature sensor with guiding tube system



## Measuring system

Type	Springloaded measuring
Construction	"B" for ML 7038
	Springloaded measuring points

## Replaceable

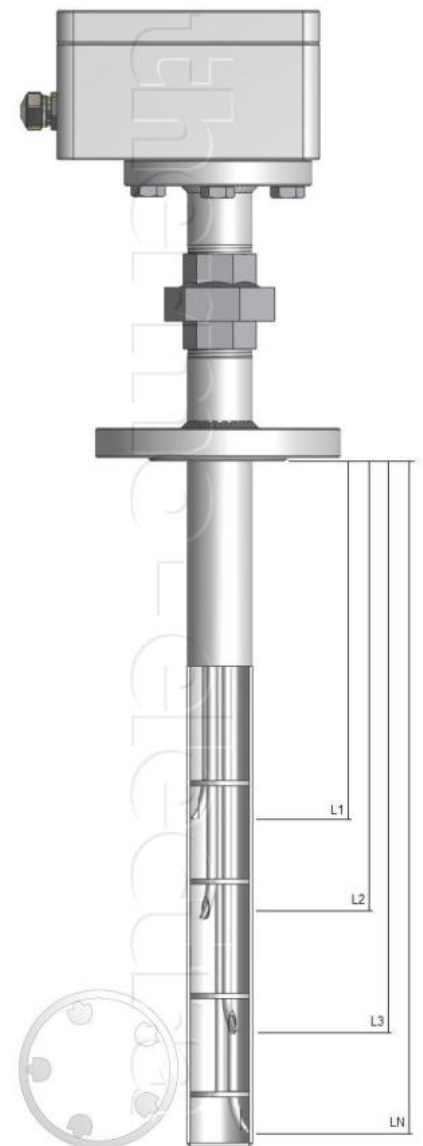
During proces each sensor is replaceable

## Guiding tubes

Sheath material	Fixed guiding tubes with 3 mm mineral insulated sensor
Length L1 to Ln	Customer to specify
Hot junction	Customer to specify
Calibration	Grounded or ungrounded
For duplex	K, T, J, E, N, U or L
Accuracy	KK, TT, JJ, EE, NN, UU or LL
	According IEC 584-1 / DIN 43710

## Application

System	For use in thermowell or welded tubes
Cold end	Hot junction springloaded contact to innerwall of the thermowell
Style / Connection	Springloaded construction
Terminals	In connectionbox by terminal blocks
	Each element has 2 terminals and if required an earth terminal



H7-1 Rev. 07/07



**thermo-electra**  
temperature sensor solutions

Thermo Electra B.V.  
Weteringweg 10  
2641KM Pijnacker  
The Netherlands

Phone +31 (0)15 - 3621200  
Fax +31 (0)15 - 3694082  
Email sales@thermo-electra.com  
http://www.thermo-electra.com

