

HT 4090 Glass industry Single or Tri-level thermocouple

Protection tube

Construction	Platinum Rhodium tip suitable for molten glass
Support tube	Ceramic 710 (C799), 24 x 18mm
Insertion length	1000 mm

Noble metal tip

Standard	Pt 10% Rh
Optional	Oxide Dispersion Strengthened, ODS® Platinum
Diameter tip	9x1mm
Tip length "L"	Customer to specify
Temperature	1800°C maximum

Connection head

Type	"A", according DIN 43729
Material	Cast aluminium
Cable entry	M20x1.5 cable gland

Process connection

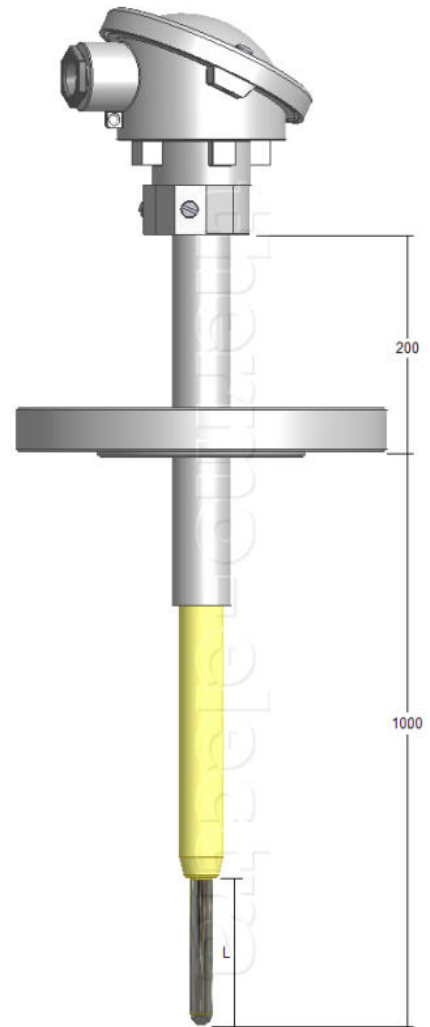
Type	Flange DN 40 PN 16
Material	Steel 35.8

Thermocouple

Single thermocouple	R, S or B
Tri-level thermocouple	Type B standard
Improved wire option	HTX grade for R and S
Accuracy	According IEC 584-1
Wire size	0.35 or 0.5 mm

Options

Connection head	Swing cover head
Wire grade	Type R/S available in HTX grade



Thermokoppel kleurcodes

Thermocouple Extension Type	ANSI	IEC
JX + Iron - Constantan ®		
KX + Chromel ® - Alumel ®		
TX + Copper - Constantan ®		
EX + Chromel ® - Constantan ®		
NX + Nicrosil ® - Nisil ®		
SX + Copper RX - Alloy 11		
BX + Copper-S - Copper-E		

Toleranties volgens IEC 584-2

Type	Class	Temperature range	Fixed value °C	Tolerance to temp. t (°C)
T	1	- 40°C to + 350°C	± 0,5	± 0,004 · t
	2	- 40°C to + 350°C	± 1	± 0,0075 · t
	3	- 200°C to + 40°C	± 1	± 0,015 · t
E	1	- 40°C to + 800°C	± 1,5	± 0,004 · t
	2	- 40°C to + 900°C	± 2,5	± 0,0075 · t
	3	- 200°C to + 40°C	± 2,5	± 0,015 · t
J	1	- 40°C to + 750°C	± 1,5	± 0,004 · t
	2	- 40°C to + 750°C	± 2,5	± 0,0075 · t
	3	-	-	-
K and N	1	- 40°C to + 1000°C	± 1,5	± 0,004 · t
	2	- 40°C to + 1200°C	± 2,5	± 0,0075 · t
	3	- 200°C to + 40°C	± 2,5	± 0,015 · t
R and S	1	0°C to + 1600°C	± 1,0	± [1+0,003·(t-1100)]°C
	2	0°C to + 1600°C	± 1,5	± 0,0025·t
	3	-	-	-
B	1	-	-	-
	2	+ 600°C to + 1700°C	± 1,5	± 0,0025·t
	3	+ 600°C to + 1700°C	± 4	± 0,005·t

Ordering code

Model	HT 4090				
Calibration					
Length "L" in mm					
Wire size					
Single (S) or Tri-level (T) thermokoppel					
Options					

H4-1 Rev. 07/07



thermo-electra
temperature sensor solutions

Thermo Electra B.V.
Weteringweg 10
2641KM Pijnacker
The Netherlands

Phone +31 (0)15 - 3621200
Fax +31 (0)15 - 3694082
Email sales@thermo-electra.com
http://www.thermo-electra.com

