

TF 5840 Bayonet type thermocouple

Construction

Insertion length	Springloaded, fixed pressure
Diameter	D = 5 mm
Length L1 x L2	Code A : L1 = 70, L2 = 20 Code B : L1 = 95, L2 = 45
Spring	Diameter 7 mm, springloading action
Bayonet	Diameter 12.2 mm, one slot

Extension cable

Glassfiber insulated thermocouple cable with steelwire braiding

Length "K"

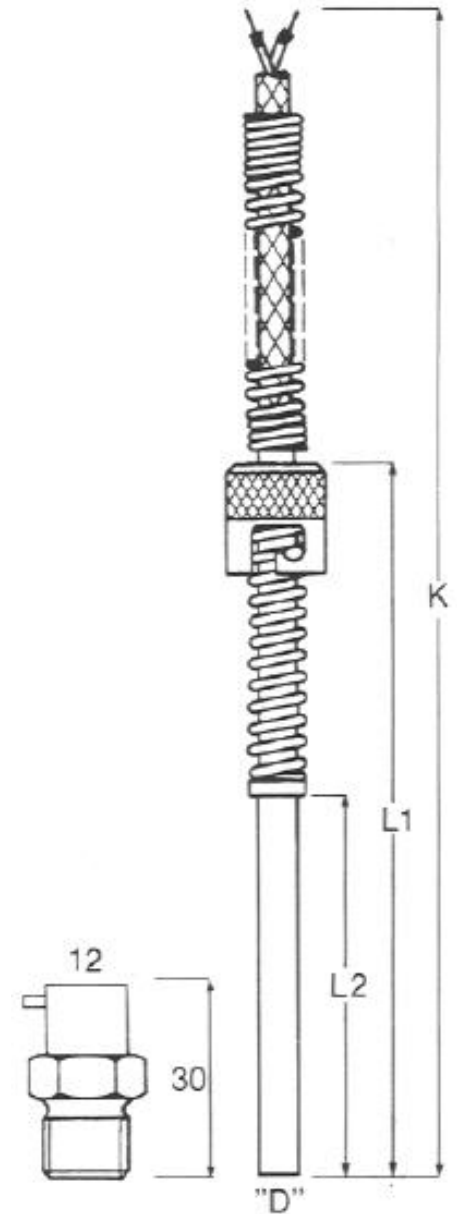
Customer to specify
(3000mm standard)

Thermocouple

Calibration	K, J or L
For duplex	KK, JJ or LL
Accuracy	According IEC 584-1 / DIN 43710
Temperature	400°C maximum
Hot junction	Grounded

Bayonet adaptor

Model B1	Process connection 1/4" BSP
Model B2	Process connection 3/8" BSP
Model B3	Process connection M14 x 1.5
	Please order separately



Ordering code

Model	TF 5840			
Calibration				
Length "K" in mm				
Code A or B				

H5-1 Rev. 07/07



thermo-electra
temperature sensor solutions

Thermo Electra B.V.
Weteringweg 10
2641KM Pijnacker
The Netherlands

Phone +31 (0)15 - 3621200
Fax +31 (0)15 - 3694082
Email sales@thermo-electra.com
http://www.thermo-electra.com

