

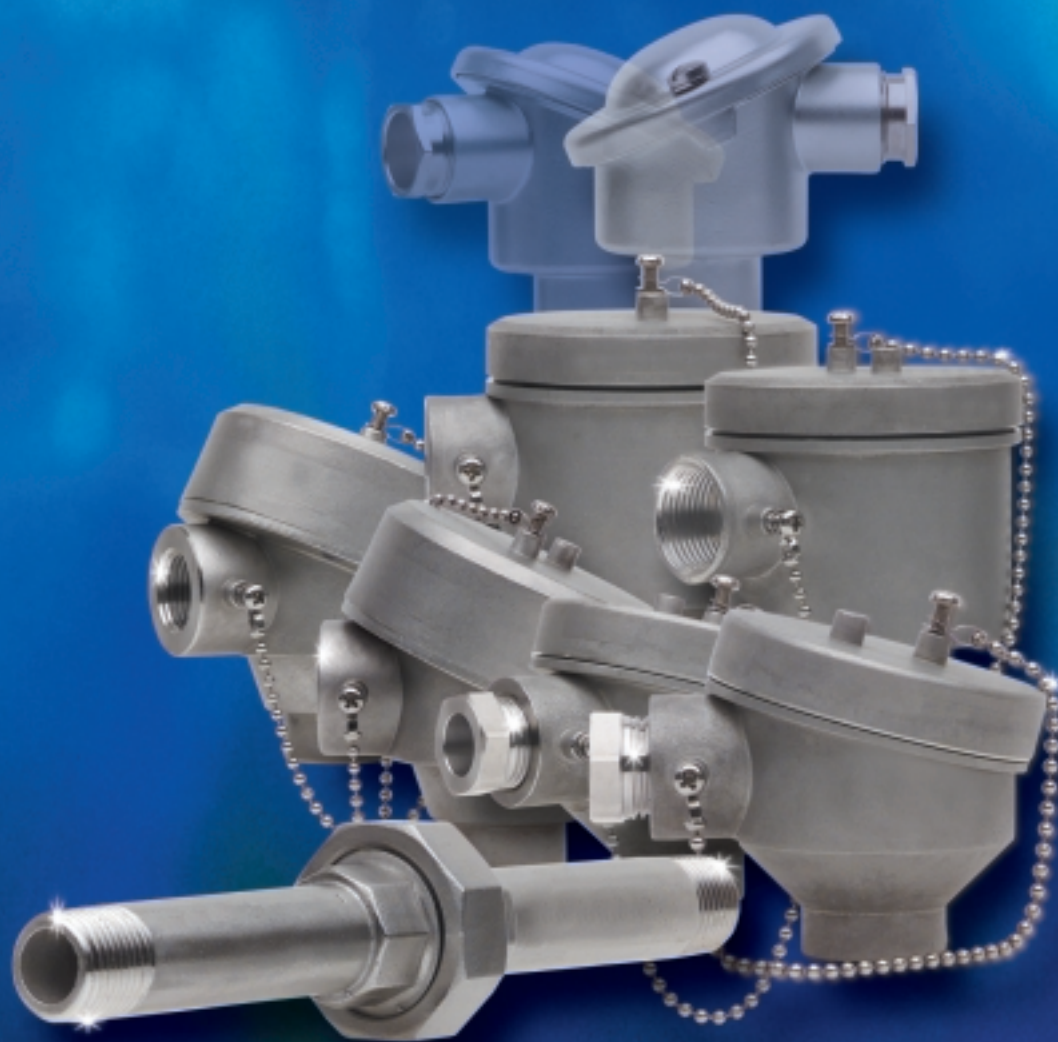
CONNECTION HEADS

from cast
from cast

316 SS
316 SS

WHY USE LESS

WHY USE LESS



Temperature Accessories



thermo-electra

measurement and control technics

Connection Heads

1086



This housing is available in SS 316, and is economically priced to meet to DIN B dimensions and requirements. It can accommodate a medium sized temperature transmitter or terminal block, 50 mm in diameter. The PGI6 version only comes with a cable gland. The processide dimensions are identical to the DIN B head, so they can replace them in full. Weight for the SS 316 version, 360 gram.

Connection Heads

1080



Code	Description
FM Factory Mutual	FM Explosion Proof Approval Explosion Proof for Class I, Division I, Groups E, F and G Dust-Ignition Proof for Class II/III, Division I, Groups E, F and G Hazardous (Classified) Locations, indoor and outdoors (NEMA 4x) Temperature Class: T6
ATEX	Flame Proof Approval Eexd II C T4, T5, T6, Amb. Temp: -40 to 80° C
CSA Canadian Standards Association	CSA Explosion Proof Approval Explosion Proof for Class I, Division I, Groups B, C and D Dust-Ignitionproof for Class II/III, Division I, Groups E, F and G Amb. Temp: -40 to 80° C

This housing is available in both Aluminium and SS 316, and comes with complete certification as shown on this page. Designed specifically for Ex-proof applications, the unit can accommodate a terminal blocks, 50 mm in diameter, or a medium sized temperature transmitter. A low cost non explosion proof version is also available in Aluminium. A wide selection of Cable and Instrument connections make this unit a very versatile device. Weight for the SS 316 version, 815 gram.

Connection Heads

1088



This housing is available in SS 316, and is designed specially for large temperature transmitters. The housing will accommodate a transmitter 65 mm (2.5") in diameter and approximately 45 mm (1.8") in height. Meets the requirements of IP65 NEMA 4. Weight for the SS 316 version, 560 gram.

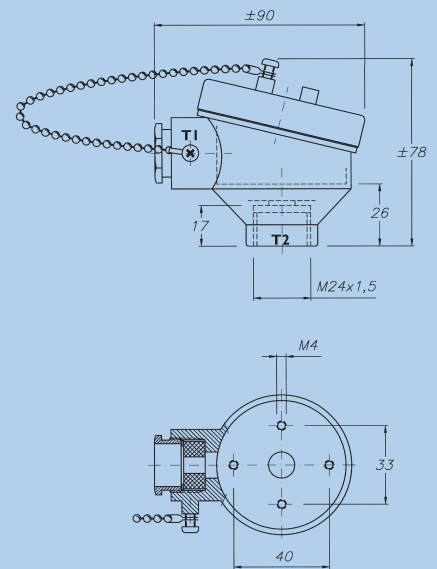
Ordering Information

Model
I086 SD 316 Stainless Steel Housing

Code	Connection	
01	T1 = 3/4" NPT	T2 = 1/2" NPT
02	T1 = 1/2" NPT	T2 = 1/2" NPT
03	T1 = 3/4" PF	T2 = 1/2" PF
04	T1 = 3/4" BSP	T2 = 1/2" BSP
05	T1 = M20 x 1.5	T2 = 1/2" BSP
06	T1 = Pg. 16	T2 = M20 x 1.5
07	T1 = Pg. 16	T2 = M24 x 1.5
XX	T1 = Specify	

Ordering Example

Typical Model No.	Model	Connection
	I086 SD	01

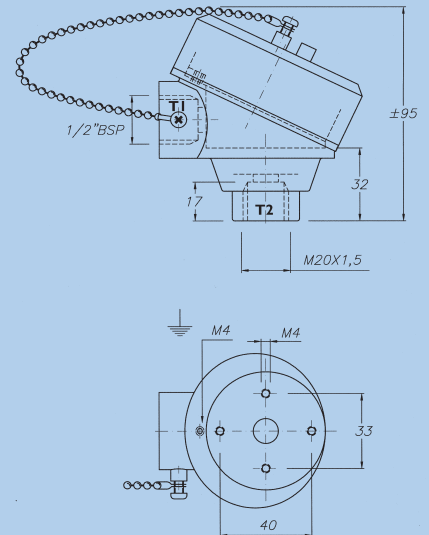


Ordering Information

Model
I080 AE Aluminium Housing (Ex Proof Version)
I080 SE 316 Stainless Steel Housing (Ex Proof Version)
I080 AN Aluminium Housing (Non Ex Proof Version)

Code	Connection	
01	T1 = 3/4" NPT	T2 = 1/2" NPT
02	T1 = 1/2" NPT	T2 = 1/2" NPT
03	T1 = 3/4" PF	T2 = 1/2" PF
04	T1 = 3/4" BSP	T2 = 1/2" BSP
05	T1 = M20 x 1.5	T2 = 1/2" BSP
06	T1 = Pg. 16	T2 = M20 x 1.5
07	T1 = Pg. 16	T2 = M24 x 1.5
XX	T1 = Specify	

Code	Certification pending at time of publication
FM	See Table
ATEX	See Table
CS	See Table



Ordering Information

Model
I088 SN 316 Stainless Steel Housing
(Non Ex Proof Version)

Code	Connection	
01	T1 = 3/4" NPT	T2 = 1/2" NPT
02	T1 = 1/2" NPT	T2 = 1/2" NPT
03	T1 = 3/4" PF	T2 = 1/2" PF
04	T1 = 3/4" BSP	T2 = 1/2" BSP
05	T1 = M20 x 1.5	T2 = 1/2" BSP
06	T1 = Pg. 16	T2 = M20 x 1.5
07	T1 = Pg. 16	T2 = M24 x 1.5
XX	T1 = Specify	

