



TF 5895 Washer Style Thermocouple

Construction

Gasket	Hole diameter 5 mm
Material	Brass
Outer diameter	12 mm
Thickness	6 mm

Lead wire

Teflon insulated flexible thermocouple wire, with glass filling and stainless steel braiding 240 °C

Lead wire length "K"

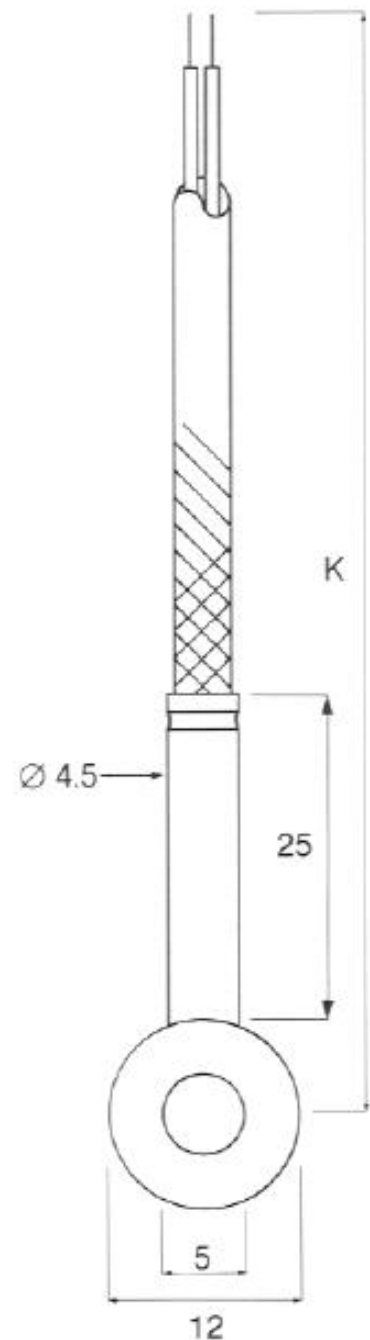
Customer to specify

Element

Calibration	K, T, J, E, N, U or L
Accuracy	According IEC 584-1 / DIN 43710
Hot junction	Grounded

Ordering code

Model	TF 5895		
Calibration			
Length "K" in mm			



H5-1 Rev. 07/07



thermo-electra
measurement and control technics

PO BOX 73
2640 AB Pijnacker
The Netherlands

Phone +31 (0)15 - 3621200
Fax +31 (0)15 - 3694082
Email sales@thermo.nl
Internet <http://www.thermo-electra.com>