



# TE1044 Round Standard Panel Socket

## Application

Female panel connector Thermocouple and RTD circuits  
 Contacts Springloaded thermocouple contacts  
 Materials Glass filled thermoplastic body with original thermocouple material contacts

## Temperature rating

Temperature limit Maximum 200°C

## Construction

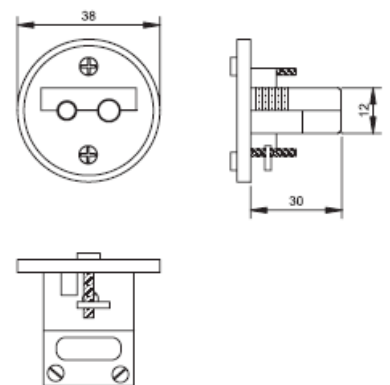
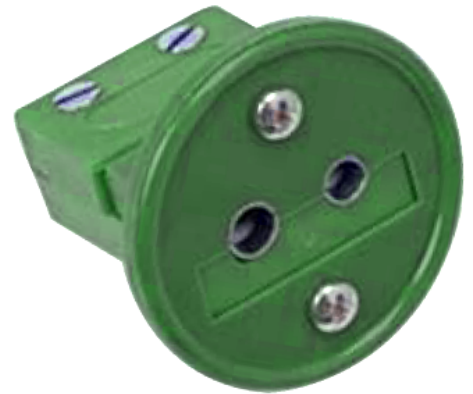
Body Glass filled thermoplastic material  
 Design Stainless steel bracket mounted with 2 screws  
 Molded barriers Prevent short circuit

## Wire size

Accepts wires From 0,2mm. to 2,0mm.

## Color code

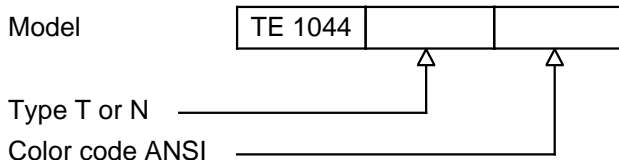
Availability Type N and type T only in ANSI color



Thermocouple type	T/C Type Code	ANSI Color Code	IEC Color Code
Iron Constantan	J	Black	Black
Copper Constantan	T	Blue	Brown
Chromel Alumel (NiCr-Ni)	K	Yellow	Green
Nicrosil Nisil	N	Orange	Pink
Chromel Constantan	E	Violet	Violet
Platinum 10% Rhodium	S	Green	Orange
Platinum 13% Rhodium	R	Green	Orange
Uncompensated *	Cu	White	White
Tungsten Rhenium	C	Brown	-

\* For Pt.6%Rh. / Pt.30%Rh. B type thermocouple and Pt100 sensors

## Ordering code



H9-2Rev.0 7/07



**thermo-electra**  
 measurement and control technics

PO BOX 73  
 2640 AB Pijnacker  
 The Netherlands

Phone +31 (0)15 - 3621200  
 Fax +31 (0)15 - 3694082  
 Email sales@thermo.nl  
 Internet http://www.thermo-electra.com