



ME 7096 2 Inch Pipe Bracket Pt100

Sheath

Construction	Mineral insulated (MgO)
Material	Standard SS316
Diameter	6.0 mm standard

Connection head

Model	1088
Material	Stainless Steel 316
Cable entry	M20 x 1.5

Sensing element

Type	MI 2025
Construction	Replaceable

Sensor

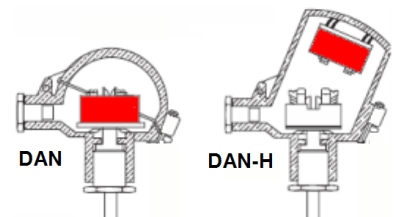
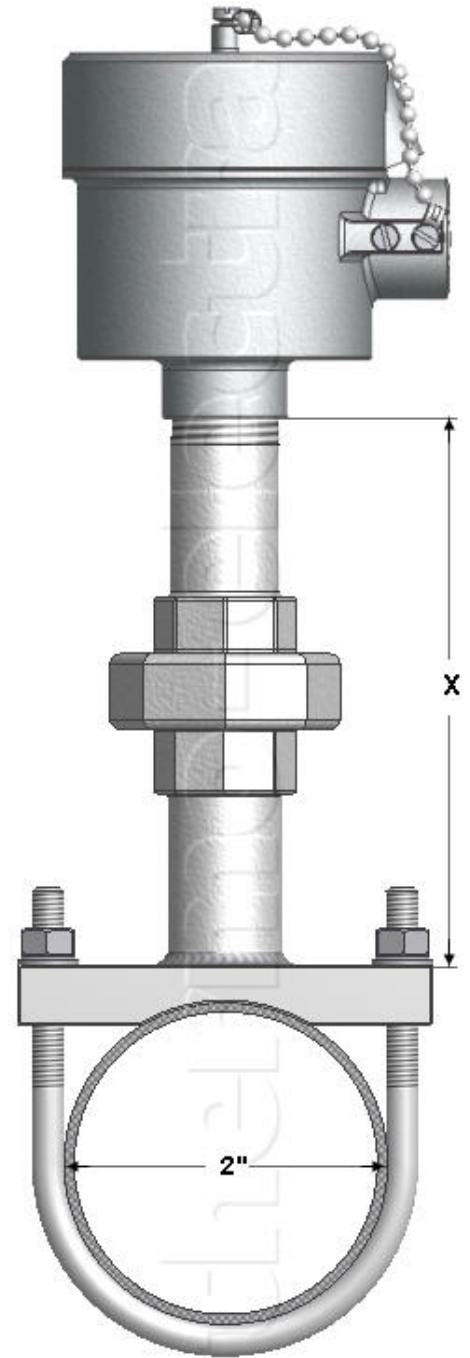
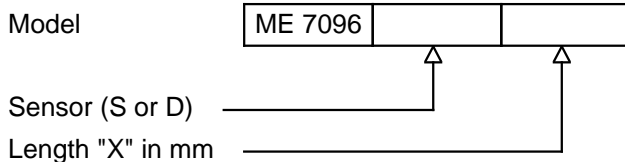
Sensor type	Single Pt 100: "S" or Duplex Pt 100 "D"
Accuracy	According IEC 751 Class B
Connection	3 wire system (Optional 4 wire system)
Range	Range -220 / + 600 °C

Options

Transmitter	4-20mA In-Head Transmitter, standard or ATEX Explosion proof. Please select from our standard range, see "transmitter" chapter, specify make, model and range
Swing-Cover head	DAN. Transmitter direct mounted on measuring insert.
High Swing-Cover head	DAN-H. Transmitter in cover. Insert with ceramic block.



Ordering code



H2-1 Rev.0 7/07



thermo-electra
measurement and control technics

PO BOX 73
2640 AB Pijnacker
The Netherlands

Phone +31 (0)15 - 3621200
Fax +31 (0)15 - 3694082
Email sales@thermo.nl
Internet http://www.thermo-electra.com