



ME 7095 Tube Skin Thermocouple with Sleeve and Bracket



Sheath

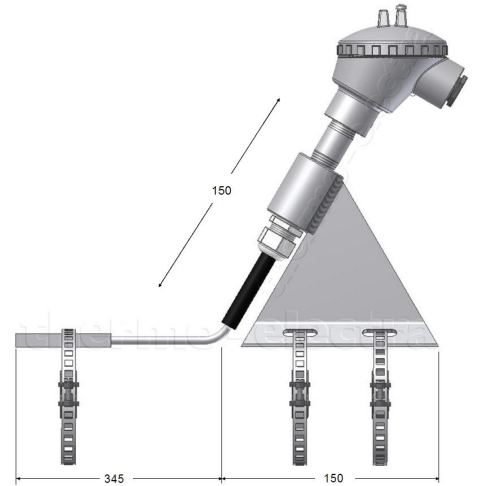
Construction	Mineral insulated (MgO)
Material	Standard SS316, others possible
Diameter	6.0 mm standard

Connection head

Model	CE with screw cover or DAN with swing cover
Material	Cast aluminium
Cable gland	M20 x 1.5 included

Thermo-element

Calibration	K, T, J, E, N, U or L
Accuracy	According IEC 584
Element length	Length " L " standard 525mm



Strap-on Sleeve

Dimensions	70 x 14 x 14 mm
Material	Stainless Steel 316

Bracket

Mounting	With Stainless Steel Clamps, included
Pipe diameter	To specify

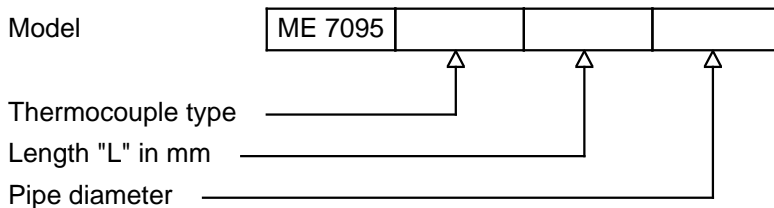
Head extension

Material	Stainless Steel
Length metal part	70 mm

Options

Certification	Atex explosion proof certified Exe, Exi or Exd
Transmitter 4-20mA	In-Head Transmitter, standard or ATEX Explosion proof. Please select from our standard range, see "transmitter" chapter, specify make, model and range.
Swing-Cover head	Transmitter direct mounted on measuring insert.

Ordering code



H7-1 Rev. 07/07



thermo-electra
measurement and control technics

PO BOX 73
2640 AB Pijnacker
The Netherlands

Phone +31 (0)15 - 3621200
Fax +31 (0)15 - 3694082
Email sales@thermo.nl
Internet http://www.thermo-electra.com