



# LEX30 Explosion Proof EEx d Thermocouple for zone 1 and 2



## Construction

According to	EN 50014 and EN 50018
Ex execution	II 2G Eex d IIC T6
Certificate	ISSeP02ATEX012
Suitable for zone	1 and 2
Ingress protection	IP66 / IEC529
Ambient temp. limits	-20°C...+65°C ( SS316 ) -40°C...+85°C ( Aluminium ) -40°C...+100°C ( Aluminium ) Optional.

## Connection head

Material	Cast aluminium or SS316
Cable entry	Single M20 x 1,5, two entries optional
Cover	Threaded with retaining chain
Fire Lock	At process side

## Sensing element

Construction	Replaceable, springloaded > 10 mm
Diameter	6.0 mm
Type	Mineral insulated

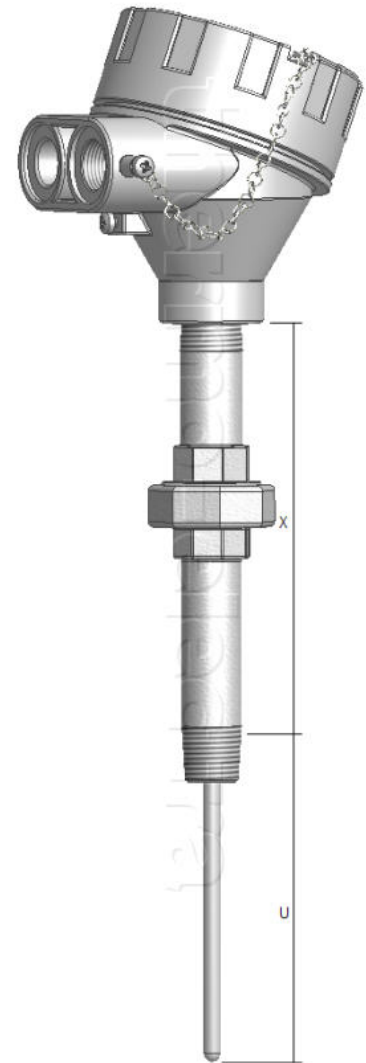
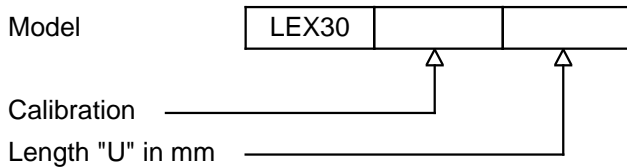
## Element

Calibration	K, T, J, E, R, S, B, U, N or L
For duplex	KK, TT, JJ, EE, RR, SS, BB, UU, NN or LL
Accuracy	According IEC 584

## Extension

Type	Nipple - union - nipple
Material	Stainless Steel 316
Connection	1/2" NPT male thread
Length "X"	150 mm standard Other length possible

## Ordering code



H3-1 Rev.0 7/07



**thermo-electra**  
measurement and control technics

PO BOX 73  
2640 AB Pijnacker  
The Netherlands

Phone +31 (0)15 - 3621200  
Fax +31 (0)15 - 3694082  
Email sales@thermo.nl  
Internet <http://www.thermo-electra.com>