



LEX25 Pt100 Thermometer EEx i with Integrated Transmitter

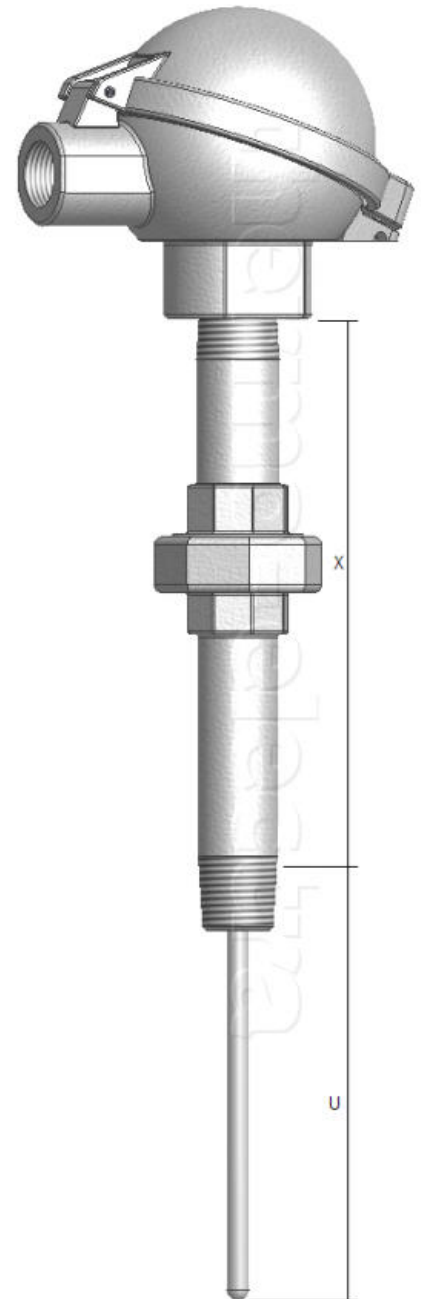


Construction	According EN 50014 EN 50020 & EN 50284
Ex execution	II 1 G Eex ia IIC T4...T6
Certificate	KEMA 02ATEX2238 X
Suitable for zone	0, 1 and 2
Ingress protection	IP65 / IEC529
Ambient temp. range	-40 ° C ... +80 ° C
Connection head	DAN. Cable entry M20 x 1.5 female
Material	Cast aluminium enamel coated

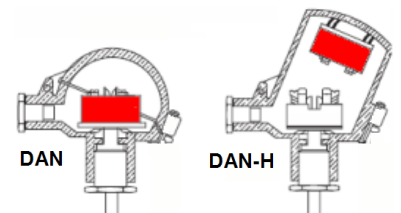
Transmitter	
Model	Select from our standard range or specify your standardized brand
Range and model	To specify
Head mounted	Standard mounted on insert, replaces the terminal block
Alternative mounting	Mounted in the cover of the head

Sensor	
Construction	Replaceable springloaded
Type	Mineral insulated, diameter 6mm
Sensor	Single Pt 100: "S", duplex Pt100: "D"
Connection	3 wire system standard, optional 4 wire system
Accuracy	According IEC 751
Range	-220 / + 600 ° C

Extension	
Type	Nipple - union – nipple
Material	Stainless steel
Connection	1 / 2" NPT male thread
Length "X"	150 mm standard, other length possible



Ordering code	
Model	LEX25 [] [] []
Sensor (S or D)	_____↑
Length "U" in mm	_____↑
Transmitter model	_____↑



H3-1 Rev.0 7/07