



LEX15A Explosion Proof Thermocouple



EEx e for zone 1 and 2

Construction

	According EN 50014 and EN 50019
<u>Ex execution</u>	II 2G Eex e II T6
Certificate	KEMA 02ATEX2237 X
Suitable for zone	1 and 2
Ingress protection	IP65 / IEC529
Ambient temp. range	-40 °C ... +80 °C

Connection head

Model	DAN-AK
Material	Cast aluminium epoxy coated
Cable entry	M20 x 1,5 female Other entries possible

Sensing element

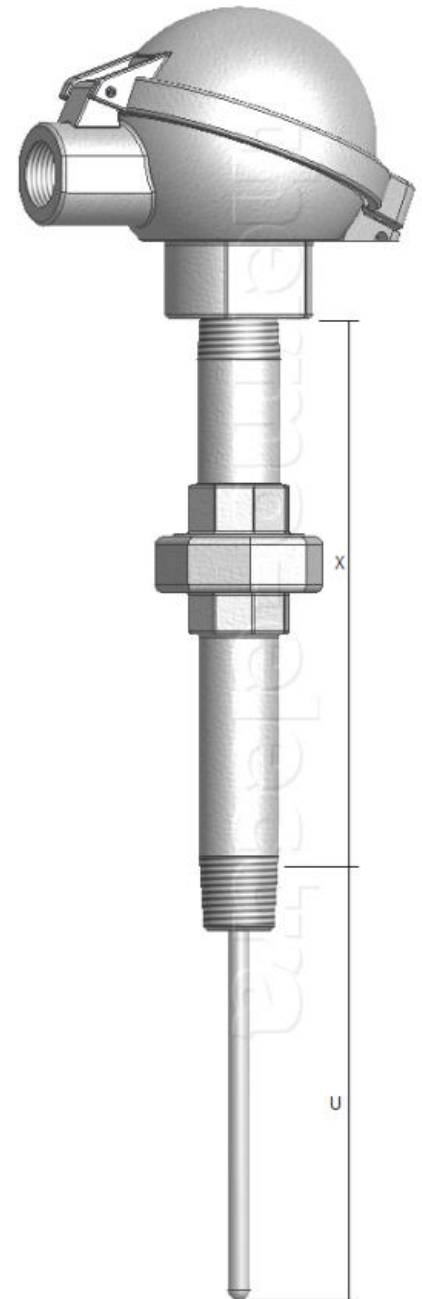
Construction	Replaceable springloaded
Option A	Spring action > 10 mm (standard)
Option A 1	Spring action > 40 mm
Diameter	6 mm
Type	Mineral insulated
Element	
Calibration	K, T, J, E, N, R, S, B, U or L
For duplex	KK, TT, JJ, EE, NN, RR, SS, BB, UU or LL
Accuracy	According IEC 584

Extension

Type	Nipple - union - nipple
Material	Stainless Steel 316
Connection	1/2" NPT male thread
Length "X"	150 mm standard Other length possible

Ordering code

Model	LEX15			
Option A or A1				
Calibration				
Length "U" in mm				



H3-1 Rev.0 7/07



thermo-electra
measurement and control technics

PO BOX 73
2640 AB Pijnacker
The Netherlands

Phone +31 (0)15 - 3621200
Fax +31 (0)15 - 3694082
Email sales@thermo.nl
Internet <http://www.thermo-electra.com>