



LEX15 Pt100 Thermometer EEx e with Integrated 2-Wire Transmitter

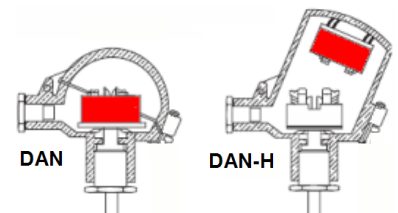
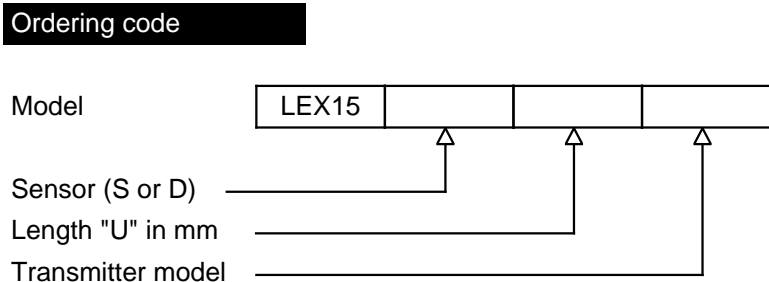
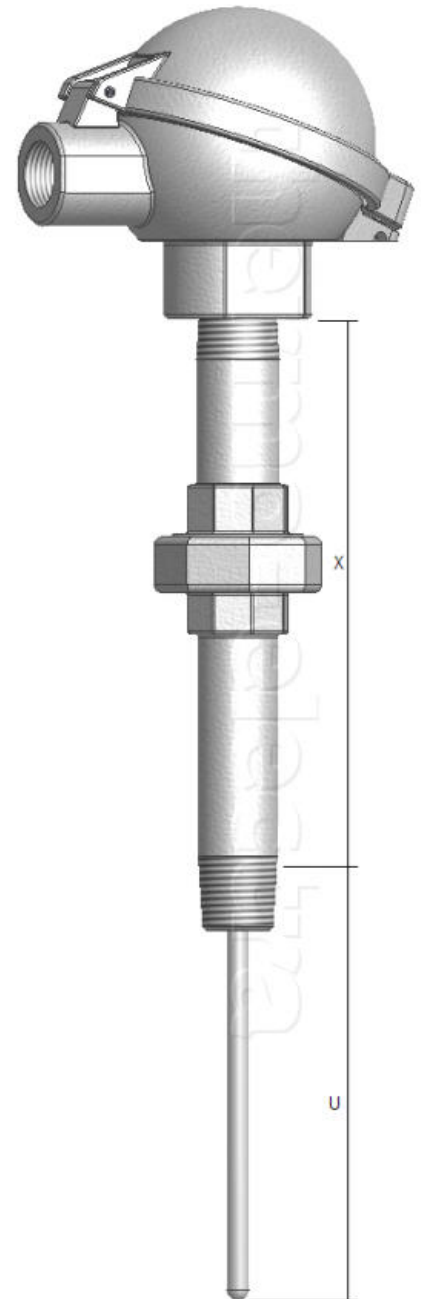


Construction	According EN 50014 & EN 50019
Ex execution	II 2 G Eex e II T6
Certificate	KEMA 02ATEX2237 X
Suitable for zone	1 and 2
Ingress protection	IP65 / IEC529
Ambient temp. range	-40 °C ... +80 °C
Connection head	DAN. Cable entry M20 x 1.5 female
Material	Cast aluminium enamel coated

Transmitter	
Model	Select from our standard range or specify your standardized brand
Range and output data	To specify
Head mounted	Standard mounted on insert, replaces the terminal block.
Alternative mounting	Mounted in the cover of the head.

Sensor	
Construction	Replaceable springloaded
Type	Mineral insulated, diameter 6mm. Single Pt 100: "S", duplex Pt100: "D"
Connection	3 wire system standard, optional 4 wire system
Accuracy	According IEC 751
Range	-220 / + 600 °C

Extension	
Type	Nipple - union – nipple
Material	Stainless steel
Connection	1 / 2" NPT male thread
Length "X"	150 mm standard, other length possible



H3-1 Rev.0 7/07