



HT 4090 Glass Industry Single or Three Level Thermocouple

Protection tube

Construction	Platinum Rhodium tip suitable for molten glass
Support tube	Ceramic 710 (C799), 24 x 18mm
Insertion length	1000 mm

Noble metal tip

Material	Platinum 10% Rhodium
Diameter tip	9 x 1 mm
Tip length "L"	Customer to specify
Temperature	1800 °C maximum

Connection head

Type	"A", according DIN 43729
Material	Cast aluminium
Cable entry	M20x1.5 cable gland

Process connection

Type	Flange DN 40 PN 16
Material	Steel 35.8

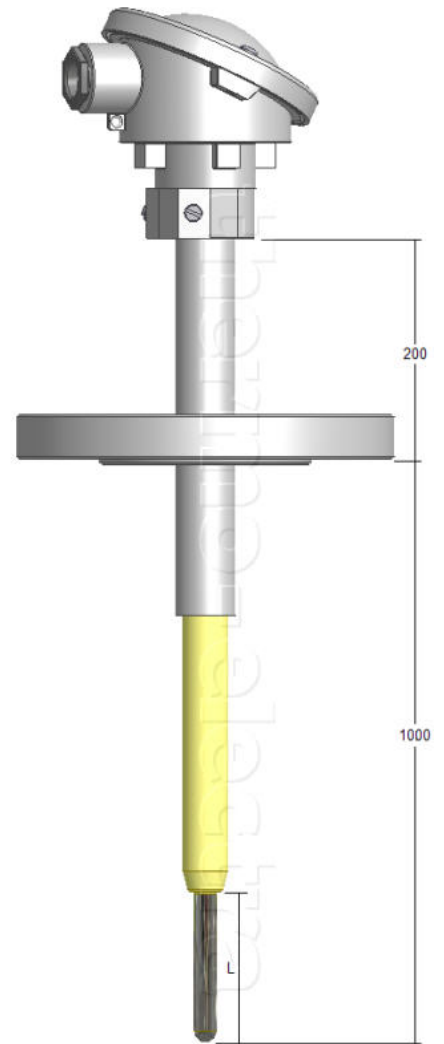
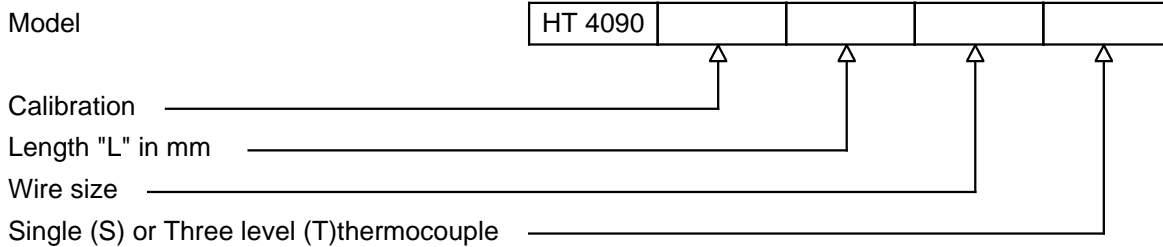
Element

Calibration	B
For three level	BBB
Wire size	0.35 or 0.5 mm
Accuracy	According IEC 584-1 / DIN43710

Options

Connection head	Other options possible
Transmitter 4-20 mA	Please select from transmitter chapter

Ordering code



H4-1 Rev. 07/07



thermo-electra
measurement and control technics

PO BOX 73
2640 AB Pijnacker
The Netherlands

Phone +31 (0)15 - 3621200
Fax +31 (0)15 - 3694082
Email sales@thermo.nl
Internet <http://www.thermo-electra.com>