



CA 2012 Industrial Transmitter Mounted Resistance Thermometer

Protection tube

Construction	Closed-end tube, 9mm.
Material	SS 316 - (Wst 1.4401)
Insertion length "L"	Customer to specify
Proces connection	1 / 2" BSP

Connection head

Model	DAN - Ak
Material	Cast aluminium
Cable entry	M20 x 1.5 cable gland

Sensing element

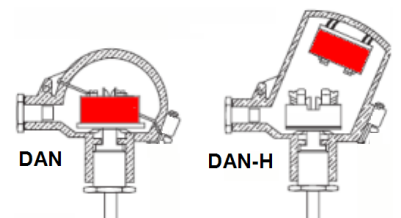
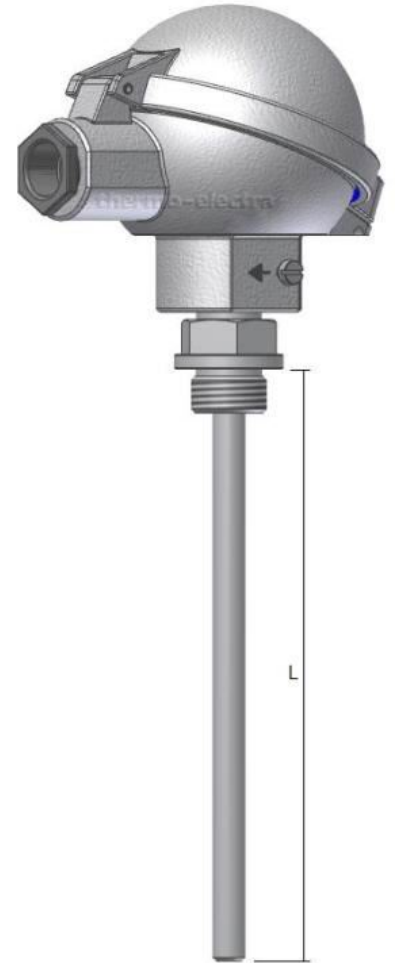
Type	MI 2026
Construction	Repleceable springloaded
Diameter	6 mm
Length	E = L + 45 mm
Material	SS 316 - (Wst 1.4401)

Sensor

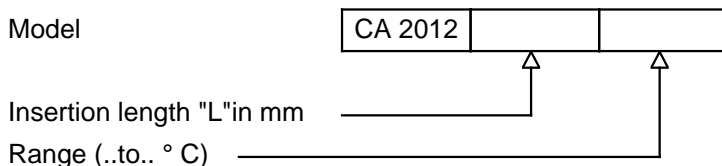
	Single Pt 100: "S"
Accuracy	According IEC 751 class B
Connection	3 wire system (Optional 4 wire system)
Range	-220 / + 600 °C

Transmitter

Transmitter 4-20mA	In-Head Transmitter, standard or ATEX Explosion proof. Please select from our standard range, see "transmitter" chapter, specify make, model and range.
Swing-Cover head	DAN. Transmitter direct mounted on measuring insert.
High Swing-Cover head	DAN-H. Transmitter in cover. Insert with ceramic block.



Ordering code



H2-1 Rev.0 7/07



thermo-electra
measurement and control technics

PO BOX 73
2640 AB Pijnacker
The Netherlands

Phone +31 (0)15 - 3621200
Fax +31 (0)15 - 3694082
Email sales@thermo.nl
Internet <http://www.thermo-electra.com>