



CA 1003 Industrial Thermocouple

Protection tube

Construction	Closed-end tube, diameter 9 mm
Material	SS 316 - (Wst 1.4401)
Insertion length "L"	Customer to specify
Process connection	1 / 2" BSP
Extension length "X"	Customer to specify

Connection head

Model	"B" according DIN 43729
Material	Cast aluminium
Cable entry	M20 x 1.5 cable gland

Sensing element

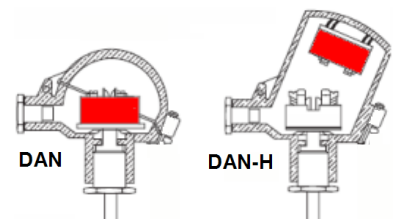
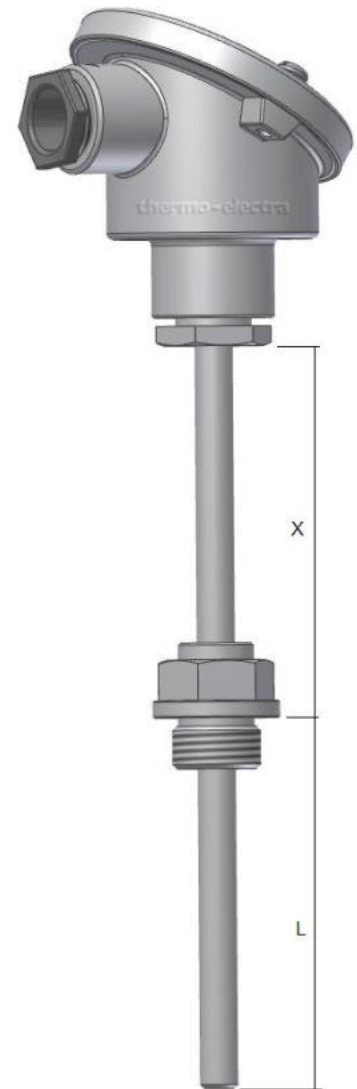
Type	MI 1025
Construction	Replaceable springloaded
Diameter	6 mm
Length "E"	$E = L + X + 35$ mm
Material	SS 316 - (Wst 1.4401)

Element

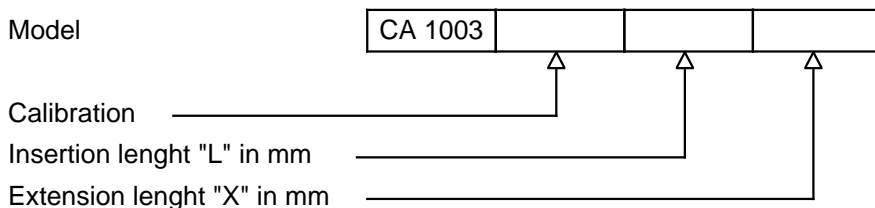
Calibration	K, T, J, E, N, U or L
For duplex	KK, TT, JJ, EE, NN, UU or LL
Accuracy	According IEC 584-1 / DIN 43710

Options

Transmitter 4-20mA	In-Head Transmitter, standard or ATEX Explosion proof. Please select from our standard range, see "transmitter" chapter, specify make, model and range.
Swing-Cover head	DAN. Transmitter direct mounted on measuring insert.
High Swing-Cover head	DAN-H. Transmitter in cover. Insert with ceramic block.



Ordering code



H1-1 Rev.0 7/07



thermo-electra
measurement and control technics

PO BOX 73
2640 AB Pijnacker
The Netherlands

Phone +31 (0)15 - 3621200
Fax +31 (0)15 - 3694082
Email sales@thermo.nl
Internet <http://www.thermo-electra.com>